

Combination

Encoder with integrated electronic speed switch

Blind hollow shaft or cone shaft

300...5000 pulses per revolution

HOG 11 + ESL



HOG 11 + ESL

Features

- Offshore and salt water firm, high protection IP 67
- TTL output driver for cable length up to 550 m
- Electronic speed monitoring
- Circuit breaker with up to three selectable threshold speeds
- Hybrid bearing for extended lifetime
- Terminal boxes, turn by 180°

Optional

- Function control with EMS (Enhanced Monitoring System)
- Redundant sensing with two terminal boxes

Technical data - electrical ratings (encoder)

Voltage supply	9...30 VDC; 5 VDC $\pm 5\%$
Consumption w/o load	≤ 100 mA
Pulses per revolution	300...5000
Phase shift	$90^\circ \pm 20^\circ$
Scan ratio	40...60 %
Reference signal	Zero pulse, width 90°
Output frequency	≤ 120 kHz ≤ 300 kHz (on request)
Output signals	K1, K2, K0 + inverted Error output (only EMS)
Output stages	HTL-P (power linedriver) TTL/RS422
Sensing method	Optical

Technical data - electrical ratings (speed switches)

Switching accuracy	$\pm 4\%$ (≤ 1500 rpm) $\pm 2\%$ (> 1500 rpm)
Switching hysteresis	$\leq 30\%$ of switching speed
Switching delay time	≤ 40 ms

HOG 11 + ESL 90

Switching outputs	1 output, speed control
Output switching capacity	≤ 6 A / 250 VAC; ≤ 1 A / 48 VDC
Minimum switching current	100 mA

HOG 11 + ESL 93

Voltage supply	12 VDC $\pm 10\%$
Consumption w/o load	≤ 5 mA
Switching outputs	3 outputs, speed control
Current each output	40 mA

Technical data - mechanical design

Size (flange)	$\varnothing 105$ mm
Shaft type	$\varnothing 16...20$ mm (blind hollow shaft) $\varnothing 17$ mm (cone shaft 1:10)
Shaft loading	≤ 450 N axial ≤ 600 N radial
Protection DIN EN 60529	IP 67
Operating torque typ.	6 Ncm
Rotor moment of inertia	680 gcm ²
Materials	Housing: aluminium die-cast Shaft: stainless steel
Operating temperature	$-20...+85$ °C
Resistance	IEC 60068-2-6 Vibration 5 g, 10-2000 Hz IEC 60068-2-27 Shock 50 g, 6 ms
Shaft insulation	2.8 kV
Transmission length	≤ 350 m at 100 kHz (HTL-P) ≤ 550 m at 100 kHz (TTL)
Connection	2x terminal box 3x terminal box (with option M)
Weight approx.	2.3 kg, 2.5 kg (with option M)
Interference immunity	EN 61000-6-2
Emitted interference	EN 61000-6-3
Approval	CE
HOG 11 + ESL 90	
Operating speed	≤ 6000 rpm
Range of switching speed (ns)	650...6000 rpm
HOG 11 + ESL 93	
Operating speed	≤ 5000 rpm
Range of switching speed (ns)	3x 200...5000 rpm

Combination

Encoder with integrated electronic speed switch

Blind hollow shaft or cone shaft

300...5000 pulses per revolution

HOG 11 + ESL

Part number

Encoder with speed switch ESL 93

HOG11

		DN			SR		+ESL93
--	--	----	--	--	----	--	--------	-----	-----	-----

Switching speed 3 (ns3)

... 200...5000 rpm

Switching speed 2 (ns2)

... 200...5000 rpm

Switching speed 1 (ns1)

... 200...5000 rpm

Shaft diameter

16H7 Blind hollow shaft ø16 mm

20H7 Blind hollow shaft ø20 mm

17K Cone shaft ø17 mm (1:10)

Voltage supply / signals

I 9...30 VDC / output circuit HTL with inverted signals

TTL 5 VDC / output circuit TTL with inverted signals

R 9...30 VDC / output circuit TTL with inverted signals

Pulse number - see table

Output signals

DN K1, K2, K0

Redundant sensing

Without redundant sensing

M With redundant sensing

EMS - Enhanced Monitoring System

Without EMS

.2 With EMS

Pulse number

300	1000	2048	4096
500	1024	2500	5000
512	1200	3072	

Other pulse numbers on request.

Please indicate the exact switching rotation speeds (permanent parameter defined at works).

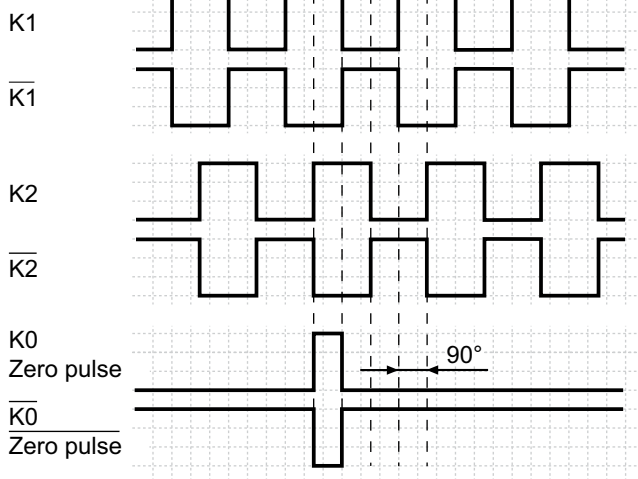
Combination

Encoder with integrated electronic speed switch
Blind hollow shaft or cone shaft
300...5000 pulses per revolution

HOG 11 + ESL

Output signals

At positive rotating direction



Option EMS: LED status / Error output

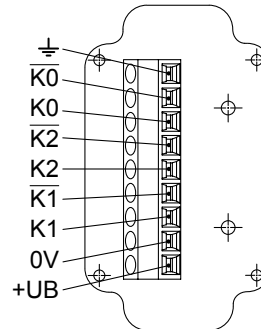
Flash light red*	Error of signal sequence, zero pulse or pulses (Error output = HIGH-LOW alternation)
Red	Overload output driver (Error output = LOW)
Flash light green	Encoder o.k., rotating (Error output = HIGH)
Green	Encoder o.k., stopped (Error output = HIGH)
No light	No output voltage connection or wrong connection (Error output = LOW)

* Only at rotating encoder

Terminal assignment

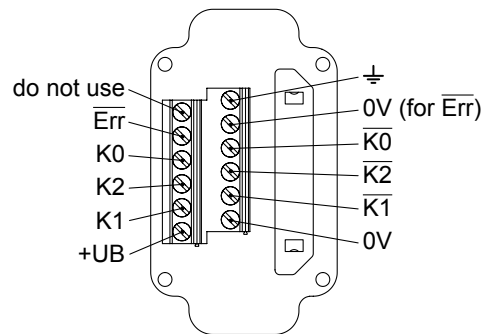
View A

Connecting terminal in terminal box HOG 11



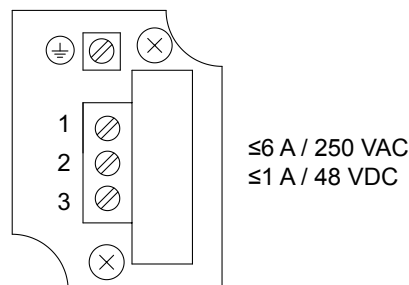
Option EMS: View A

Connecting terminal in terminal box HOG 11.2



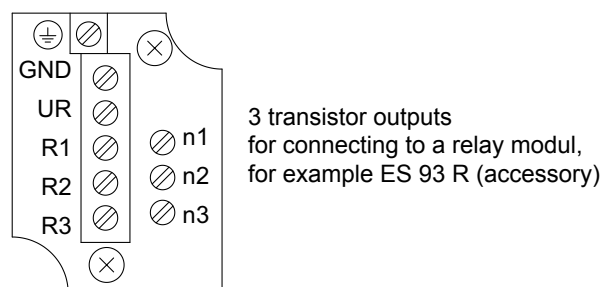
View B

Connecting terminal electronic speed switch ESL 90



View B

Connecting terminal electronic speed switch ESL 93



Combination

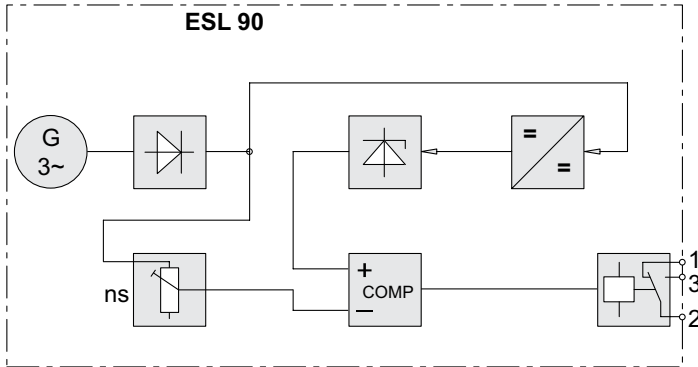
Encoder with integrated electronic speed switch

Blind hollow shaft or cone shaft

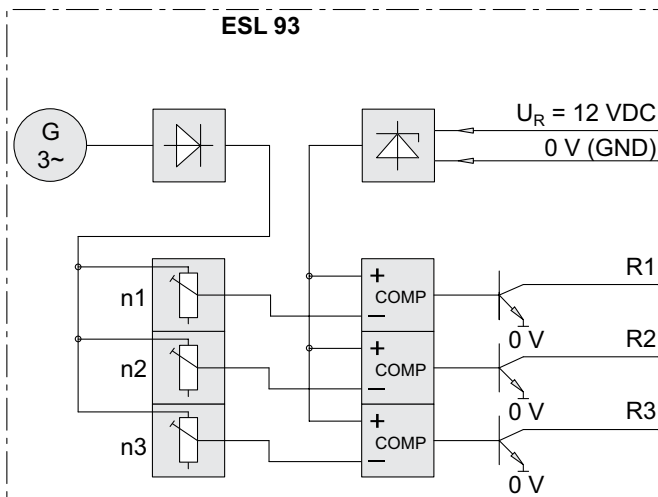
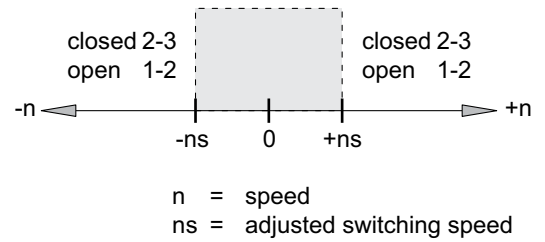
300...5000 pulses per revolution

HOG 11 + ESL

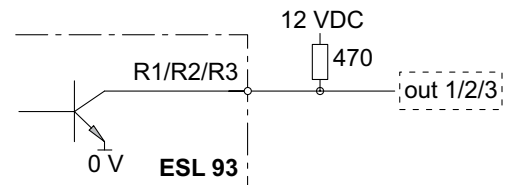
Block circuit diagram



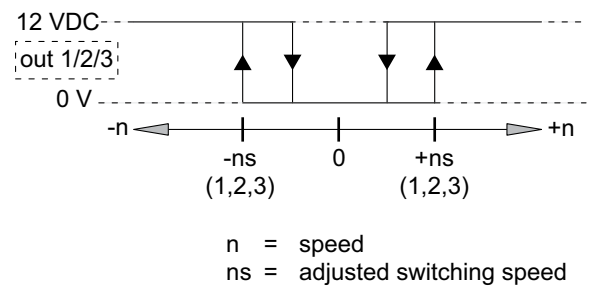
Switching characteristics



Recommended output circuit



Switching characteristics



Combination

Encoder with integrated electronic speed switch

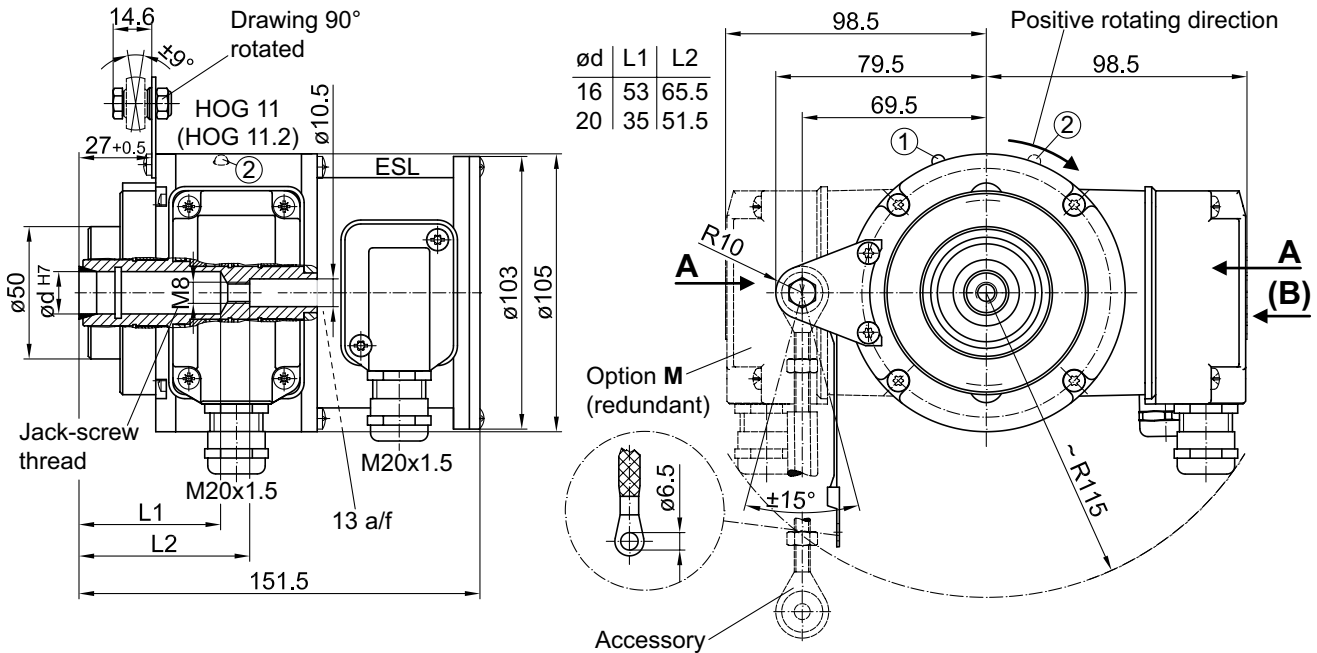
Blind hollow shaft or cone shaft

300...5000 pulses per revolution

HOG 11 + ESL

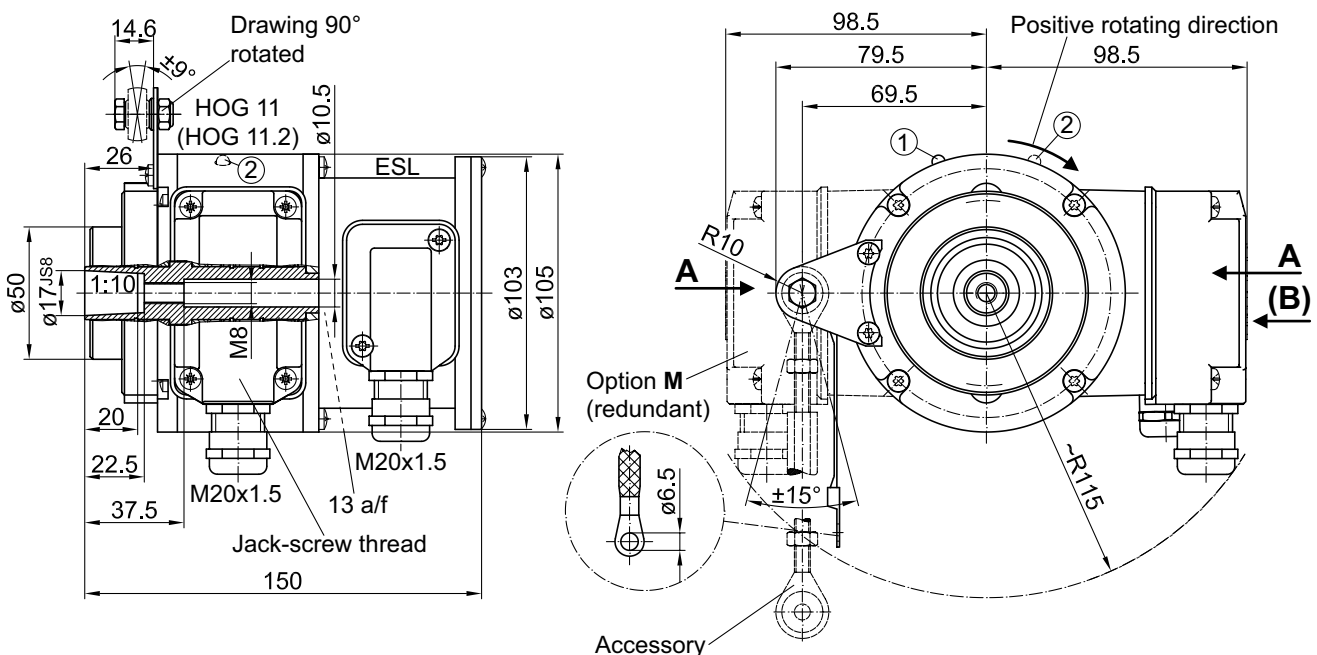
Dimensions

HOG 11 + ESL (HOG 11.2 + ESL, HOG 11 M + ESL, HOG 11.2 M + ESL) - Version with blind hollow shaft



- ① Status LED (option EMS)
- ② Status LED (option M (redundant) and EMS)

HOG 11 + ESL (HOG 11.2 + ESL, HOG 11 M + ESL, HOG 11.2 M + ESL) - Version with cone shaft



- ① Status LED (option EMS)
- ② Status LED (option M (redundant) and EMS)

Subject to modification in technic and design. Errors and omissions excepted.